

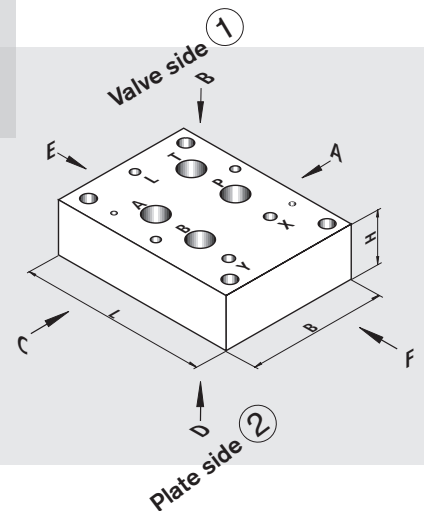
# Sandwich plates

## Porting patterns to DIN 24340 Form A and ISO 4401

RE 48054/01.09  
Replaces: 06.06

1/26

### Type HSZ 16

Size 16  
Component series 3X  
Maximum operating pressure 315 bar

### Table of contents

Contents	Page	Contents	Page
Features and safety instructions	2	<b>Function group: Pressure function</b>	
Explanation of type code for HSZ 16 sandwich plates	2	– Supplementary details	11, 12
<b>Spacer plates:</b>		– Pressure relief valves, direct operated	13
– Spacer plates without port	3	– Pressure relief valves, pilot operated, electrically unloadable	14
– Spacer plates without port, with blocked system drill	4	– Pressure reducing valves, pilot operated	15, 16
– Spacer plates with port	5	– Pressure reducing valves, pilot operated with 2nd pressure stage	16
– Spacer plates with connections	5	<b>Function group: Combination of pressure and closing function</b>	
<b>Function group: Closing function</b>		– Supplementary details	17
– Supplementary details	6	– Counterbalance function	18
– Check valves	7, 8	– Pressure relief/anti-cavitation function	19
– Check valves, pilot operated	9	– Load lowering function	20
– Check function, electrical operation	10	<b>Function group: Flow control function</b>	
		– Throttle valves	21
		– Flow control valves	22, 23
		<b>Function group: Miscellaneous</b>	
		– Shuttle valves	23
		– Logic functions	24
		– Orifices, seals	25

Information on available spare parts:  
[www.boschrexroth.com/spc](http://www.boschrexroth.com/spc)

## Features

- Vertical stacking components of sandwich plate design
- Supplement to the existing sandwich plate product range
- For mounting as individual module or as vertical stacking element on multi-station manifolds, IH20 modular plate system or vario-plates
- Great flexibility due to various combination options as well as possibility of subsequent functional changes and extensions
- Maximum operating pressure
  - Without valve function: 315 bar
  - With valve function: max. 315 bar (depending on the valves fitted)
- Weight data includes the valves fitted or integrated

## Safety instructions

- the valves installed into the sandwich plates may lock in an undefined position due to internal contaminations - such as contaminated hydraulic fluid, abrasion, or residual dirt from system components. This results in the driven consumer load no longer following the specifications of the operator
- when using a differential cylinder, inadmissibly high pressures can form in the discharge channel due to pressure transmission (example: non-switched directional seat valve/ non-actuated solenoid coil / cable rupture). Therefore, we recommend protecting the cylinder by pressure limitation valves

## Explanation of type code for HSZ 16 sandwich plates

HSZ 16 B   1   - 3X/   2     3     4  

- 1**  
   Serial number of function version from 001 ... 999 (determined by the factory)
- 2**  
   **Type of seals:** NBR seals = M (standard)  
 (other seals on enquiry) FKM seals = V  
**Note:** Observe compatibility of seals with hydraulic fluid used!
- 3**  
   **Type of connection:** No external connection = 00  
 Connection to DIN 3852 part 2 = 01  
 Thread to DIN EN ISO 228 (pipe thread)
- 4**  
  \* Further details in clear text

## Order example:

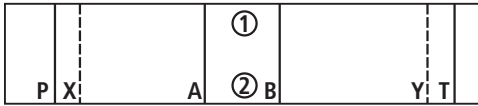
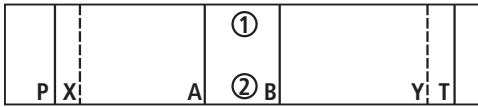
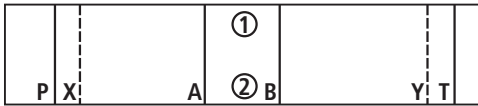
Material no.	Type designation	Component designation
R900561046	HSZ 16 B036-3X/M01	Sandwich plate without valve function
R900907797	HSZ 16 B200-3X/05M00	Sandwich plate with fixed valve configuration
R900741198	HSZ 16 B100-3X/ <sup>15 16</sup> <span style="border: 1px solid black; padding: 2px 5px;">5</span> <span style="border: 1px solid black; padding: 2px 5px;">100</span> M00	Sandwich plate with optional valve configuration

For type code and order examples of sandwich plates fitted with valves, see the relevant function groups!

Sandwich plates with optional valves can be supplied either as complete unit (with valves fitted) or as an assembly kit (only with seals, plug screws, nameplate).

- For circuits and versions other than those given in the data sheet, please consult us!
- Connection threads in HSZ plates are always closed with pressure-tight plugs.

**Spacer plates without port** (① = component side, ② = plate side)

Component designation	Type designation Material no.	Symbol	Plate L x W x H Weight Size of ports	Dimensional sheet Further information
Sandwich plate	HSZ 16 B007-3X/M00 R900393873		140 x 91 x 20 1.8 kg	R900262858 Thread M8 x 1 provided in channels X and Y
Sandwich plate	HSZ 16 B300-3X/M00 R900568517		140 x 91 x 40 3.7 kg	R900266207
Sandwich plate	HSZ 16 B339-3X/M00 R900571221		140 x 91 x 100 9.3 kg	R900266357

### Spacer plates without port, with closed system drilling

(1) = component side, (2) = plate side)

Component designation	Type designation Material no.	Symbol	Plate L x W x H Weight Size of ports	Dimensional sheet Further information
Sandwich plate	HSZ 16 B452-3X/ A00M00 R900579461		140 x 91 x 20 1.8 kg	R900752950
Sandwich plate	HSZ 16 B452-3X/ B00M00 R900752806		140 x 91 x 20 1.8 kg	R900752950
Sandwich plate	HSZ 16 B452-3X/ P00M00 R900771715		140 x 91 x 20 1.8 kg	R900752950
Sandwich plate	HSZ 16 B452-3X/ T00M00 R900771218		140 x 91 x 20 1.8 kg	R900752950
Sandwich plate	HSZ 16 B452-3X/ X00M00 R900901794		140 x 91 x 20 1.8 kg	R900752950
Sandwich plate	HSZ 16 B452-3X/ Y00M00 R900771785		140 x 91 x 20 1.8 kg	R900752950
Sandwich plate	HSZ 16 B452-3X/ X00Y00M00 R900771796		140 x 91 x 20 1.8 kg	R900752950

**Spacer plates with port** (1) = component side, (2) = plate side)

Component designation	Type designation Material no.	Symbol	Plate L x W x H Weight Size of ports	Dimensional sheet Further information
Sandwich plate	HSZ 16 B036-3X/M01 R900561046		140 x 91 x 40 3.7 kg Side E   Side F A, T   B, P G1/4   G1/4	R900265685
Sandwich plate	HSZ 16 B027-3X/M01 R900568513		160 x 91 x 80 8.5 kg Side F P G1 1/4	R900266208
Sandwich plate	HSZ 16 B325-3X/M01 R900926622		160 x 91 x 80 8.5 kg Side E T G1 1/4	R900270853
Sandwich plate	HSZ 16 B048-3X/M01 R900568514		160 x 91 x 60 6.4 kg Side E   Side F A   B G1   G1	R900266209
Sandwich plate	HSZ 16 B095-3X/M01 R900568516		175 x 91 x 40 4.7 kg Side E   Side F L   X, Y G1/2   G1/2	R900266210
Sandwich plate	HSZ 16 B098-3X/M01 R900954895		175 x 91 x 40 4.7 kg Side E   Side F L   X, Y G1/2   G1/2	R900276834

**Spacer plates with connections** (1) = component side, (2) = plate side)

Component designation	Type designation Material no.	Symbol	Plate L x W x H Weight Size of ports	Dimensional sheet Further information
Sandwich plate	HSZ 16 B061-3X/M00 R900547897		140 x 91 x 80 7.5 kg	R900278080

## Function group: Closing function

Example: **HSZ 16 B**  - 3X/

### Supplementary details on sandwich plates with integrated closing function (complete components):

11 <input type="text"/>	<b>Cracking pressure</b> of check valve type M-SR 20... (cartridge kit)	0.5 bar	= 05
12.1 <input type="text"/>	<b>Cracking pressure</b> of check valve type Z1S 16... (cartridge kit / sandwich plate)	Cracking pressure 0.5 bar	= 1
		Cracking pressure 3.0 bar	= 2
		Cracking pressure 5.0 bar	= 3
13 <input type="text"/>	<b>Cracking pressure</b> of check valve type Z2S 16... (pilot operated)	Cracking pressure 3.0 bar	= 1
		Cracking pressure 5.0 bar	= 2
		Cracking pressure 7.5 bar	= 3
		Cracking pressure 10.0 bar	= 4
14 <input type="text"/>	<b>Type of seal</b> <b>Note:</b> Observe compatibility of seals with hydraulic fluid used! (Other seals on enquiry)	NBR seals	= No code
		FKM seals	= V
26 <input type="text"/>	<b>Solenoid voltage</b> of directional valve	24 V DC voltage	= G24
		96 V DC voltage	= G96
		205 V DC voltage	= G205

AC voltage network (permissible voltage tolerance $\pm 10\%$ )	Nominal voltage of the DC solenoid when operated with AC voltage	Ordering code
110 V - 50/60 Hz 120 V - 60 Hz	96 V	G96
230 V - 50/60 Hz	205 V	G205

For connection to the AC voltage network, a DC solenoid that is controlled via a rectifier must be used (see table on the left).

In the case of individual connection, a plug-in connector with integrated rectifier may be used (separate order).

**Check valves** (1) = component side, (2) = plate side)

Component designation	Type designation Material no.	Symbol	Plate L x W x H Weight Size of ports	Dimensional sheet Further informa- tion
Sandwich plate	Z1S 16 A <sup>12.1</sup> -1X/V		120 x 90 x 50 4.2 kg	R900263206
Supplement type designation according to page 6.				
Sandwich plate	Z1S 16 B <sup>12.1</sup> -1X/V		120 x 90 x 50 4.2 kg	R900263206
Supplement type designation according to page 6.				
Sandwich plate	Z1S 16 P <sup>12.1</sup> -1X/V		120 x 90 x 50 4.2 kg	R900263206
Supplement type designation according to page 6.				
Sandwich plate	Z1S 16 C <sup>12.1</sup> -1X/V		120 x 90 x 50 4.2 kg	R900263206
Supplement type designation according to page 6.				
Sandwich plate	Z1S 16 T <sup>12.1</sup> -1X/V		120 x 90 x 50 4.2 kg	R900263206
Supplement type designation according to page 6.				
Sandwich plate	Z1S 16 D <sup>12.1</sup> -1X/V SO4		120 x 90 x 50 4.2 kg	EV 4755C-00-3
Supplement type designation according to page 6.				
Sandwich plate	Z1S 16 E <sup>12.1</sup> -1X/V SO4		120 x 90 x 50 4.2 kg	EV 4755C-00-3
Supplement type designation according to page 6.				
Sandwich plate	Z1S 16 F <sup>12.1</sup> -1X/V		120 x 90 x 50 4.2 kg	R900263206
Supplement type designation according to page 6.				
Sandwich plate	Z1S 16 P <sup>12.1</sup> -1X/V SO68		120 x 90 x 50 4.2 kg Side F P G1/2	EV 5078-00-3
Supplement type designation according to page 6.				

 Order example of complete unit: Z1S 16 A<sup>12.1</sup>-1X/<sup>14</sup>V

**Check valves** (1) = component side, (2) = plate side

Component designation	Type designation Material no.	Symbol	Plate L x W x H Weight Size of ports	Dimensional sheet Further information
<b>Sandwich plate</b>	<b>HSZ 16 B187-3X/05M00</b> R900905700		200 x 91 x 120 15.9 kg	R900266362
<b>Sandwich plate fitted with:</b>				
Check valve (cartridge kit)	M-SR 20 KE05-1X/□ <sup>14</sup>			RE 20380
<b>Sandwich plate</b>	<b>HSZ 16 B330-3X/05-D<sup>51</sup>M00</b>		200 x 91 x 120 15.9 kg	R900266363
<b>Sandwich plate fitted with:</b>				
Check valve (cartridge kit)	M-SR 20 KE05-1X/□ <sup>14</sup> DUESE <sup>51</sup> □M8x1-DIN906			RE 20380 RN 115.06
Material no., see page 25				
<b>Sandwich plate</b>	<b>HSZ 16 B200-3X/05M00</b> R900907797		200 x 91 x 80 10.6 kg	R900266408
<b>Sandwich plate fitted with:</b>				
Check valve (cartridge kit)	M-SR 20 KE05-1X/□ <sup>14</sup>			RE 20380
<b>Sandwich plate</b>	<b>HSZ 16 B338-3X/05M00</b> R900737647		210 x 91 x 60 8.4 kg	R900266084
<b>Sandwich plate fitted with:</b>				
Check valve (cartridge kit)	M-SR 20 KE05-1X/□ <sup>14</sup>			RE 20380
<b>Sandwich plate</b>	<b>HSZ 16 B188-3X/02M00</b> R900965227		210 x 91 x 120 16.7 kg	R900278563
<b>Sandwich plate fitted with:</b>				
Check valve (cartridge kit)	M-SR 20 KE02-1X/□ <sup>14</sup>			RE 20380

**Order example**of complete unit: HSZ 16 B200-3X/□<sup>11</sup>□<sup>2</sup>□<sup>3</sup>**Order example**of complete unit: HSZ 16 B330-3X/□<sup>11</sup>-D□<sup>51</sup>□<sup>2</sup>□<sup>3</sup>

Supplement type designation according to page 6.



**Check valves, pilot operated** (1) = component side, (2) = plate side

Component designation	Type designation Material no.	Symbol	Plate L x W x H Weight Size of ports	Dimensional sheet Further information
Sandwich plate	Z2S 16 A <sup>13</sup> -5X/ <sup>14</sup> SO40		179 x 91 x 80 6.5 kg Side F X G1/4	RE 21558
Supplement type designation according to page 6.				
Sandwich plate	Z2S 16 B <sup>13</sup> -5X/ <sup>14</sup> SO40		179 x 91 x 80 6.5 kg Side E X G1/4	RE 21558
Supplement type designation according to page 6.				
Sandwich plate	Z2S 16 A <sup>13</sup> -5X/ <sup>14</sup> SO60		179 x 91 x 80 6.5 kg	RE 21558
Supplement type designation according to page 6.				
Sandwich plate	Z2S 16 B <sup>13</sup> -5X/ <sup>14</sup> SO60		179 x 91 x 80 6.5 kg	RE 21558
Supplement type designation according to page 6.				
Sandwich plate	HSZ 16 B526-3X/ERVEM01 R900900617		385 x 91 x 140 35.8 kg Side E X G1/4	R900266358
Sandwich plate fitted with:				
Check valve, pilot operated	FL-ERVE-R1 1/2-10X			
Sandwich plate	HSZ 16 B527-3X/ERVE-D <sup>51</sup> M00		385 x 91 x 140 35.8 kg	R900266265
Sandwich plate fitted with:				
Check valve, pilot operated	FL-ERVE-R1 1/2-10X DUESE <sup>51</sup> M8x1-DIN906			
Material no., see page 25				
Sandwich plate	HSZ 16-29794-CA/ G24N9K4M01 R900784043		200 x 120 x 200 45.4 kg Side A MA, MB G1/4 X G1/2	R900784447
Sandwich plate fitted with:				
4WE 6 D6X/EG24N9K4				
SL 20 PA2-4X/				
SL 20 PA2-4X/				

**Closing function, electrical operation** (1 = component side, 2 = plate side)

Component designation	Type designation Material no.	Symbol	Plate L x W x H Weight Size of ports	Dimensional sheet Further information
Sandwich plate	M-Z4SEH 16 E2X/3C 26 K4		225 x 92 x 100 14.7 kg	R901071320
Supplement type designation according to page 6.				
Sandwich plate	M-Z4SEH 16 E2X/3C 26 ETK4		225 x 92 x 100 14.7 kg	R901071320
Supplement type designation according to page 6.				
Sandwich plate	M-Z4SEH 16 E2X/3C 26 EK4		225 x 92 x 100 14.7 kg	R901071320
Supplement type designation according to page 6.				
Sandwich plate	M-Z4SEH 16 E2X/3C 26 TK4		225 x 92 x 100 14.7 kg	R901071320
Supplement type designation according to page 6.				
Sandwich plate	M-Z4SEH 16 E2X/3C 26 K4		225 x 92 x 100 14.7 kg	R901071320
Supplement type designation according to page 6.				
Sandwich plate	M-Z4SEH 16 A2X/3C 26 K4		225 x 92 x 100 14.7 kg	R901071320
Supplement type designation according to page 6.				
Sandwich plate	M-Z4SEH 16 B2X/3C 26 K4		225 x 92 x 100 14.7 kg	R901071320
Supplement type designation according to page 6.				

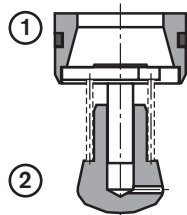
**Function group: Pressure function**

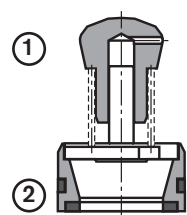
Example: **HSZ 16 B**  - **3X/**

**Supplementary details on sandwich plates with integrated pressure control function (complete units):**

<p>14</p> <input type="text"/>	<p><b>Type of seal</b>  <b>Note:</b> Observe compatibility of seals with hydraulic fluid used! (Other seals on enquiry)</p>	<p>NBR seals = <b>No code</b>                  FKM seals = <b>V</b></p>
<p>15</p> <input type="text"/>	<p><b>Adjustment element</b> on pressure relief valve type DBD..20...:</p>	<p>Grub screw with hexagon and protective cap = <b>S</b>                  Rotary knob = <b>H</b><sup>1)</sup>                  Lockable rotary knob = <b>A</b><sup>1)</sup></p>
<p>16</p> <input type="text"/>	<p><b>Pressure setting</b> on pressure relief valve Type DBD..20...:  <b>Note:</b> Code ( ) for complete type!</p>	<p>up to 25 bar = <b>25 (025)</b>                  up to 50 bar = <b>50 (050)</b>                  up to 100 bar = <b>100</b>                  up to 200 bar = <b>200</b>                  up to 315 bar = <b>315</b></p>
<p>17</p> <input type="text"/>	<p><b>Adjustment element</b> on pressure relief valve type DB 20 K... :</p>	<p>Rotary knob = <b>1</b>                  Sleeve with hexagon and protective cap = <b>2</b>                  Lockable rotary knob with scale = <b>3</b>                  Rotary knob with scale = <b>7</b></p>
<p>18</p> <input type="text"/>	<p><b>Pressure setting</b> on pressure relief valve type DB 20 K... :  <b>Note:</b> Code ( ) for complete type!</p>	<p>up to 50 bar = <b>50 (050)</b>                  up to 100 bar = <b>100</b>                  up to 200 bar = <b>200</b>                  up to 315 bar = <b>315</b></p>
<p>12</p> <input type="text"/>	<p><b>Cracking pressure</b> of check valve type D18...:</p>	<p>0.5 bar = <b>05BAR</b></p>

**Cartridge kit (versions "P" and "T"):**

	<b>Version "P" (cracking pressure 0.5 bar)</b>	
	<b>Seal material</b>	<b>Material no.</b>
	NBR	R900545200
FKM	R900545206	

	<b>Version "T" (cracking pressure 0.5 bar)</b>	
	<b>Seal material</b>	<b>Material no.</b>
	NBR	R900545203
FKM	R900545209	

<p>37</p> <input type="text"/>	<p><b>Adjustment element</b> on pressure reducing valve type DR 20 K... :</p>	<p>Rotary knob = <b>4</b>                  Sleeve with hexagon and protective cap = <b>5</b>                  Lockable rotary knob with scale = <b>6</b>                  Rotary knob with scale = <b>7</b></p>
<p>38</p> <input type="text"/>	<p><b>Pressure setting</b> on pressure reducing valve type DR 20 K... :  <b>Note:</b> Code ( ) for complete type!</p>	<p>Secondary pressure                  up to 50 bar = <b>50 (050)</b>                  up to 100 bar = <b>100</b>                  up to 200 bar = <b>200</b>                  up to 315 bar = <b>315</b></p>

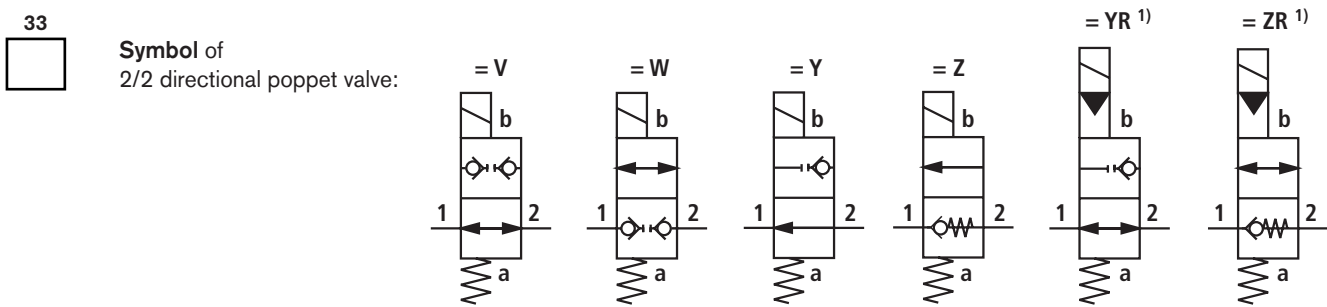
<sup>1)</sup> Please observe installation dimensions!

### Function group: Pressure function

Supplementary details on sandwich plates with short-circuit valves (complete units):

31	Size of 2/2 directional poppet valve:	up to 3 l/min (symbols Y and Z)	= 1
<input type="checkbox"/>		up to 20 l/min (symbols V and W)	= 5
		up to 30 l/min (symbols Z, ZR, Y and YR)	= 5

32	Type code of 2/2 directional poppet valve:	<b>Direct operated</b>	
<input type="checkbox"/>		Size 1 (symbols Y and Z)	= 1
		Size 5 (symbols V and W)	= 1
		<b>Pilot operated</b>	
	Size 5 (symbols Y, YR, Z and ZR)	= 2	



34	Solenoid voltage of 2/2 directional poppet valve:	24 V DC voltage	= G24
<input type="checkbox"/>		230 V AC voltage, 50/60 Hz	= W230

35	Manual override of 2/2 directional poppet valve:	Without manual override (standard)	= No code
<input type="checkbox"/>		Manual override operation by means of pin tool	= N
		Manual override operation using thumb pressure (only symbols V, W, Y and YR)	= Size

25	Types of electrical connection of 2/2 directional poppet valve:	Individual connection; with coupler plug	= K4 <sup>2)</sup>
<input type="checkbox"/>		DIN EN 175301-803, <b>without</b> female plug-in connector	

<sup>1)</sup> Size 5 only

<sup>2)</sup> Female plug-in connectors must be ordered separately (see below).

### Ordering code: Plug-in connectors to DIN EN 175301-803 and ISO 4400 for coupler plug "K4"

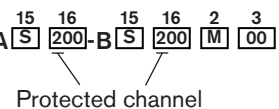
For further plug-in connectors, see RE 08006				
	<b>Material no.</b>			
<b>Colour</b>	Without circuitry	With indicator lamp 12 ... 240 V	With rectifier 12 ... 240 V	With indicator lamp and Zener-diode suppressor circuit 24 V
Grey	<b>R901017010</b>	-	-	-
Black	<b>R901017011</b>	-	-	-
Black	-	<b>R901017022</b>	<b>R901017025</b>	<b>R901017026</b>

**Pressure relief valves, direct operated (① = component side, ② = plate side)**

Component designation	Type designation Material no.	Symbol	Plate L x W x H Weight Size of ports	Dimensional sheet Further informa- tion
<b>Sandwich plate</b>  Sandwich plate fitted with: Pressure relief valve, direct operated	<b>HSZ 16 B100-3X/</b> 15 16 □ □ M00		160 x 91 x 80 9.0 kg	R900266174  RE 25402 DBD on side E
<b>Sandwich plate</b>  Sandwich plate fitted with: Pressure relief valve, direct operated	<b>HSZ 16 B102-3X/</b> 15 16 □ □ M00		145 x 91 x 80 8.2 kg	R900266180  RE 25402 DBD on side F
<b>Sandwich plate</b>  Sandwich plate fitted with: Pressure relief valve, direct operated	<b>HSZ 16 B106-3X/</b> 15 16 □ □ M00		200 x 91 x 80 11.1 kg	R900265651  RE 25402 DBD on side E
<b>Sandwich plate</b>  Sandwich plate fitted with: Pressure relief valve, direct operated	<b>HSZ 16 B107-3X/</b> 15 16 □ □ M00		220 x 91 x 80 12.2 kg	R900265669  RE 25402 DBD on side E
<b>Sandwich plate</b>  Sandwich plate fitted with: Pressure relief valve, direct operated	<b>HSZ 16 B117-3X/</b> 15 16 □ □ M00		270 x 91 x 140 26.0 kg	R900270171  RE 25402 DBD on side E
<b>Sandwich plate</b>  Sandwich plate fitted with: Pressure relief valve, direct operated	<b>HSZ 16 B104-3X/A</b> 15 16 15 16 □ □ -B □ □ M00		260 x 91 x 80 14.8 kg	R900262700  RE 25402 DBD on sides E and F
<b>Sandwich plate</b>  Sandwich plate fitted with: Pressure relief valve, direct operated	<b>HSZ 16 B108-3X/A</b> 15 16 15 16 □ □ -B □ □ M00		145 x 91 x 110 11.6 kg	R900266179  RE 25402 DBD on sides E and F

Order example of complete unit with two pressure relief valves: **HSZ 16 B104-3X/A** 15 16 S 200 -B S 200 M 00

Supplement type designation according to page 11.



**Pressure relief valves, pilot operated, electrically unloadable**

(1) = component side, (2) = plate side

Component designation	Type designation Material no.	Symbol	Plate L x W x H Weight Size of ports	Dimensional sheet Further information
<b>Sandwich plate</b>  Sandwich plate fitted with: Pressure relief valve, pilot operated 2/2 directional valve	HSZ 16 B562-3X/ <sup>17</sup> <input type="checkbox"/> - <sup>18</sup> <input type="checkbox"/> XYU- <sup>31</sup> <input type="checkbox"/> <sup>32</sup> <input type="checkbox"/> <sup>33</sup> <input type="checkbox"/> <sup>34</sup> <input type="checkbox"/> <sup>35</sup> <input type="checkbox"/> <sup>25</sup> <input type="checkbox"/> M01  DB 20 K <sup>17</sup> <input type="checkbox"/> -1X/ <sup>18</sup> <input type="checkbox"/> XYU  FL-2SV <sup>31</sup> <input type="checkbox"/> <sup>32</sup> <input type="checkbox"/> <sup>33</sup> <input type="checkbox"/> .X/ <sup>34</sup> <input type="checkbox"/> <sup>35</sup> <input type="checkbox"/> - <input type="checkbox"/>		180 x 91 x 80 10.1 kg G1/4	R900265571  RE 25818 Valve on side E  Valve on side F Port closed pressure-tight
<b>Sandwich plate</b>  Sandwich plate fitted with: Pressure relief valve, pilot operated 2/2 directional valve	HSZ 16 B562-3X/ <sup>17</sup> <input type="checkbox"/> - <sup>18</sup> <input type="checkbox"/> XYU- <sup>31</sup> <input type="checkbox"/> <sup>32</sup> <input type="checkbox"/> <sup>33</sup> <input type="checkbox"/> <sup>34</sup> <input type="checkbox"/> <sup>35</sup> <input type="checkbox"/> <sup>25</sup> <input type="checkbox"/> YM01  DB 20 K <sup>17</sup> <input type="checkbox"/> -1X/ <sup>18</sup> <input type="checkbox"/> XYU  FL-2SV <sup>31</sup> <input type="checkbox"/> <sup>32</sup> <input type="checkbox"/> <sup>33</sup> <input type="checkbox"/> .X/ <sup>34</sup> <input type="checkbox"/> <sup>35</sup> <input type="checkbox"/> - <input type="checkbox"/>		180 x 91 x 80 10.1 kg  Side F Y G1/4	R900265571  RE 25818 Valve on side E  Valve on side F

Order example of complete unit: HSZ 16 B562-3X/ <sup>17</sup>  <sup>18</sup>  <sup>31</sup>  <sup>32</sup>  <sup>33</sup>  <sup>34</sup>  <sup>35</sup>  <sup>25</sup>  Y <sup>2</sup>  <sup>3</sup>

Supplement type designation according to pages 11 and 12.

Pressure reducing valves, pilot operated (① = component side, ② = plate side)

Component designation	Type designation Material no.	Symbol	Plate L x W x H Weight Size of ports	Dimensional sheet Further informa- tion
<p><b>Sandwich plate</b></p> <p>Sandwich plate fitted with:</p> <p>Pressure re- ducing valve, pilot operated</p>	<p>HSZ 16 B550-3X/<sup>37</sup> -<sup>38</sup>M01</p> <p>DR 20 K<sup>37</sup>-1X/<sup>38</sup> YM<sup>14</sup></p>		<p>140 x 91 x 100 9.5 kg</p> <p>Side E P G1/4</p>	<p>R900265046</p> <p>RE 26893 DR on side F Port Y closed pres- sure-tight</p>
<p><b>Sandwich plate</b></p> <p>Sandwich plate fitted with:</p> <p>Pressure re- ducing valve, pilot operated</p>	<p>HSZ 16 B550-3X/<sup>37</sup>- <sup>38</sup>YM01</p> <p>DR 20 K<sup>37</sup>-1X/<sup>38</sup> YM<sup>14</sup></p>		<p>140 x 91 x 100 9.5 kg</p> <p>Side E   Side F P   Y G1/4   G1/4</p>	<p>R900265046</p> <p>RE 26893 DR on side F</p>
<p><b>Sandwich plate</b></p> <p>Sandwich plate fitted with:</p> <p>Pressure re- ducing valve, pilot operated</p>	<p>HSZ 16 B557-3X/<sup>37</sup> -<sup>38</sup>M01</p> <p>DR 20 K<sup>37</sup>-1X/<sup>38</sup> YM<sup>14</sup></p>		<p>220 x 91 x 100 15.8 kg</p> <p>Side E A G1/4</p>	<p>R900265981</p> <p>RE 26893 DR on side E Port Y closed pres- sure-tight</p>
<p>RUECKSCHLAGVENTIL D18-<sup>12</sup><sub>05BAR</sub>/<sup>14</sup>Z1S16P</p>				
<p><b>Sandwich plate</b></p> <p>Sandwich plate fitted with:</p> <p>Pressure re- ducing valve, pilot operated</p>	<p>HSZ 16 B557-3X/<sup>37</sup>- <sup>38</sup>YM01</p> <p>DR 20 K<sup>37</sup>-1X/<sup>38</sup> YM<sup>14</sup></p>		<p>220 x 91 x 100 15.8 kg</p> <p>Side E   Side F A   Y G1/4   G1/4</p>	<p>R900265981</p> <p>RE 26893 DR on side E</p>
<p>RUECKSCHLAGVENTIL D18-<sup>12</sup><sub>05BAR</sub>/<sup>14</sup>Z1S16P</p>				
<p><b>Sandwich plate</b></p> <p>Sandwich plate fitted with:</p> <p>Pressure re- ducing valve, pilot operated</p>	<p>HSZ 16 B565-3X/<sup>37</sup> -<sup>38</sup>M01</p> <p>DR 20 K<sup>37</sup>-1X/<sup>38</sup> YM<sup>14</sup></p>		<p>160 x 91 x 100 11.5 kg</p> <p>Side F B, Y G1/4</p>	<p>R900262987</p> <p>RE 26893 DR on side F Port Y closed pres- sure-tight</p>
<p>RUECKSCHLAGVENTIL D18-<sup>12</sup><sub>05BAR</sub>/<sup>14</sup>Z1S16P</p>				

**Pressure reducing valve, pilot operated** (1 = component side, 2 = plate side)

Component designation	Type designation Material no.	Symbol	Plate L x W x H Weight Size of ports	Dimensional sheet Further information
<b>Sandwich plate</b>  Sandwich plate fitted with:  Pressure reducing valve, pilot operated	HSZ 16 B565-3X/ <sup>37</sup> □ <sup>38</sup> YM01  DR 20 K <sup>37</sup> □-1X/ <sup>38</sup> □ <sup>14</sup> YM□		160 x 91 x 100 11.5 kg  Side F B, Y G1/4	R900262987  RE 26893 DR on side F
RUECKSCHLAGVENTIL D18- <sup>12</sup> □ <sup>05BAR</sup> / <sup>14</sup> □Z1S16P				

Order example of complete unit: HSZ 16 B557-3X/<sup>37</sup>□<sup>38</sup><sup>5</sup>-<sup>100</sup>Y □<sup>2</sup>M □<sup>3</sup>01

**Pressure reducing valves, pilot operated with 2nd pressure stage**

(1 = component side, 2 = plate side)

Component designation	Type designation Material no.	Symbol	Plate L x W x H Weight Size of ports	Dimensional sheet Further information
<b>Sandwich plate</b>  Sandwich plate fitted with:  Pressure reducing valve, pilot operated  Pressure relief valve, direct operated  2/2 directional poppet valve	HSZ 16 B640-3X/ <sup>37</sup> □ <sup>38</sup> - <sup>15</sup> □ <sup>16</sup> - <sup>31</sup> <sup>32</sup> □ <sup>33</sup> □ <sup>34</sup> □ <sup>35</sup> □ <sup>25</sup> □ M00  DR 20 K <sup>37</sup> □-1X/ <sup>38</sup> □YM  DBD <sup>15</sup> □ <sup>6</sup> K1X/ <sup>16</sup> □ <sup>14</sup> □  FL-2SV <sup>31</sup> □ <sup>32</sup> □ <sup>33</sup> □.X/ <sup>34</sup> □ <sup>35</sup> □-□		185 x 91 x 100 14.0 kg	R900279887  RE 26893 DR on side F  RE 25402 DBD on side E  Valve on side E
<b>Sandwich plate</b>  Sandwich plate fitted with:  Pressure reducing valve, pilot operated  Pressure relief valve, direct operated  2/2 directional poppet valve	HSZ 16 B567-3X/ <sup>37</sup> □ <sup>38</sup> - <sup>15</sup> □ <sup>16</sup> - <sup>31</sup> <sup>32</sup> □ <sup>33</sup> □ <sup>34</sup> □ <sup>35</sup> □ <sup>25</sup> □ M00  DR 20 K <sup>37</sup> □-1X/ <sup>38</sup> □YM  DBD <sup>15</sup> □ <sup>6</sup> K1X/ <sup>16</sup> □ <sup>14</sup> □  FL-2SV <sup>31</sup> □ <sup>32</sup> □ <sup>33</sup> □.X/ <sup>34</sup> □ <sup>35</sup> □-□		185 x 91 x 100 14.0 kg	R900262405  RE 26893 DR on side F  RE 25402 DBD on side E  Valve on side E
RUECKSCHLAGVENTIL D18- <sup>12</sup> □ <sup>05BAR</sup> / <sup>14</sup> □Z1S16P				



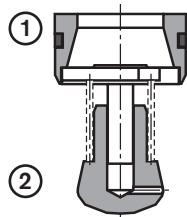
## Function group: Combination of pressure and closing function

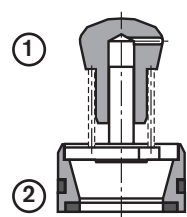
Example of load lowering function: **HSZ 16 B** 1 - **3X/L** 39 45 2 3

### Supplementary details on sandwich plates with integrated pressure and closing function (complete units):

<p>15</p> <div style="border: 1px solid black; width: 30px; height: 20px; margin-bottom: 5px;"></div> <p><b>Adjustment element</b> on pressure relief valve type DBD..20...:</p>	<p>Grub screw with hexagon and protective cap = <b>S</b></p> <p>Rotary knob = <b>H</b> <sup>1)</sup></p> <p>Lockable rotary knob = <b>A</b> <sup>1)</sup></p>
<p>16</p> <div style="border: 1px solid black; width: 30px; height: 20px; margin-bottom: 5px;"></div> <p><b>Pressure setting</b> on pressure relief valve type DBD..20...: <b>Note:</b> Code () for complete type!</p>	<p>up to 25 bar = <b>25 (025)</b></p> <p>up to 50 bar = <b>50 (050)</b></p> <p>up to 100 bar = <b>100</b></p> <p>up to 200 bar = <b>200</b></p> <p>up to 315 bar = <b>315</b></p>
<p>12</p> <div style="border: 1px solid black; width: 30px; height: 20px; margin-bottom: 5px;"></div> <p><b>Cracking pressure</b> of check valve types D18... and D18...SO4:</p>	<p>0.5 bar = <b>05BAR</b></p>

#### Cartridge kit (versions "P" and "T"):

	(Version "P" (cracking pressure 0.5 bar))	
	Seal material	Material no.
	NBR	R900545200
FKM	R900545206	

	Version "T" (cracking pressure 0.5 bar)	
	Seal material	Material no.
	NBR	R900545203
FKM	R900545209	
D18...SO4	NBR	R900545359
	FKM	R900545360

<p>14</p> <div style="border: 1px solid black; width: 30px; height: 20px; margin-bottom: 5px;"></div> <p><b>Type of seal</b> <b>Note:</b> Observe compatibility of seals with hydraulic fluid used! (Other seals on enquiry)</p>	<p>NBR seals = <b>No code</b></p> <p>FKM seals = <b>V</b></p>
<p>44</p> <div style="border: 1px solid black; width: 30px; height: 20px; margin-bottom: 5px;"></div> <p><b>Opening ratio</b> of load lowering valve: Further opening ratios on enquiry</p>	<p>Opening ratio 4.5 : 1 = <b>G</b> (standard) for systems with variable load conditions and structure-related fluctuations</p> <p>Opening ratio 10 : 1 = <b>H</b> for systems with relatively constant load</p>
<p>39</p> <div style="border: 1px solid black; width: 30px; height: 20px; margin-bottom: 5px;"></div> <p><b>Pressure setting</b></p>	<p>70 to 175 bar (set value 140) = <b>K</b></p> <p>140 to 350 bar (set value 210) = <b>J</b></p>
<p>45</p> <div style="border: 1px solid black; width: 30px; height: 20px; margin-bottom: 5px;"></div> <p><b>Opening ratio</b></p>	<p>4.5 : 1 = <b>4</b></p> <p>10 : 1 = <b>10</b></p>

<sup>1)</sup> Please observe installation dimensions!

**Counterbalance function** (1) = component side, (2) = plate side

Component designation	Type designation Material no.	Symbol	Plate L x W x H Weight Size of ports	Dimensional sheet Further information
<b>Sandwich plate</b>  Sandwich plate fitted with:  Pressure relief valve, direct operated	HSZ 16 B216-3X/ <sup>15</sup> <sup>16</sup> M01		220 x 91 x 100 16.2 kg  Side E A G1/4	R900265832   RE 25402 DBD on side E
<b>Sandwich plate</b>  Sandwich plate fitted with:  Pressure relief valve, direct operated	HSZ 16 B218-3X/ <sup>15</sup> <sup>16</sup> M01		220 x 91 x 100 16.2 kg  Side E B G1/4	R900265743   RE 25402 DBD on side F

Order example of complete unit: HSZ 16 B216-3X/<sup>15</sup><sub>S</sub> <sup>16</sup><sub>100</sub> <sup>2</sup><sub>M</sub> <sup>3</sup><sub>01</sub>

<b>Sandwich plate</b>  Sandwich plate fitted with:  Pressure relief valve, direct operated	HSZ 16 B217-3X/A <sup>15</sup> <sup>16</sup> -B <sup>15</sup> <sup>16</sup> M01		300 x 91 x 100 22.4 kg  Side E   Side F A   B G1/4   G1/4	R900266181   RE 25402 DBD on sides E and F
--	--	--	--	--

Order example of complete unit: HSZ 16 B217-3X/A<sup>15</sup><sub>S</sub> <sup>16</sup><sub>100</sub>-B<sup>15</sup><sub>S</sub> <sup>16</sup><sub>100</sub> <sup>2</sup><sub>M</sub> <sup>3</sup><sub>01</sub>

Protected channel

Supplement type designation according to page 17.

**Pressure relief/anti-cavitation function (1 = component side, 2 = plate side)**

Component designation	Type designation Material no.	Symbol	Plate L x W x H Weight Size of ports	Dimensional sheet Further information
<b>Sandwich plate</b>  Sandwich plate fitted with:  Pressure relief valve, direct operated  Check valve (cartridge kit)	<b>HSZ 16 B214-3X/A</b> 15 16-B 15 16 M01  DBD 15 20 K1X/ 16 14  M-SR 20 KE05-1X/ 14		380 x 91 x 130 33.8 kg  Side E   Side F A   B G1/4   G1/4	R900266191  RE 25402 DBD on sides E and F  RE 20380
<b>Sandwich plate</b>  Sandwich plate fitted with:  Pressure relief valve, direct operated  Check valve (cartridge kit)	<b>HSZ 16 B207-3X/A</b> 15 16-B 15 16 M00  DBD 15 20 K1X/ 16 14  M-SR 20 KE05-1X/ 14		270 x 91 x 140 26.1 kg	R900266094  RE 25402 DBD on sides E and F  RE 20380

Order example of complete unit: **HSZ 16 B214-3X/A** <sup>15</sup><sub>S</sub> <sup>16</sup><sub>315</sub>-**B** <sup>15</sup><sub>S</sub> <sup>16</sup><sub>315</sub> <sup>2</sup><sub>M</sub> <sup>3</sup><sub>01</sub>  
 Protected channel

<b>Sandwich plate</b>  Sandwich plate fitted with:  Pressure relief valve, direct operated  Check valve (cartridge kit)	<b>HSZ 16 B222-3X/</b> 15 16 M01  DBD 15 20 K1X/ 16 14  M-SR 20 KE05-1X/ 14		220 x 91 x 100 14.5 kg  Side E   Side F A   B G1/4   G1/4	R900766947  RE 25402 DBD on side E  RE 20380
---	---	--	--	---

Order example of complete unit: **HSZ 16 B222-3X/** <sup>15</sup><sub>S</sub> <sup>16</sup><sub>100</sub> <sup>2</sup><sub>M</sub> <sup>3</sup><sub>01</sub>

Supplement type designation according to page 17.

**Load lowering function – complete unit (① = component side, ② = plate side)**

Component designation	Type designation Material no.	Symbol	Plate L x W x H Weight Size of ports	Dimensional sheet Further information
Sandwich plate Sandwich plate fitted with: SENKBREMSVENTIL CBG <sup>44</sup> -L <sup>39</sup> N	HSZ 16 B430-1X/L <sup>39</sup> <sup>45</sup> M00		230 x 91 x 120 18.2 kg	R900769678  RE 18115-08 RE 18115-12 CBG on side E
Sandwich plate Sandwich plate fitted with: SENKBREMSVENTIL CBG <sup>44</sup> -L <sup>39</sup> N	HSZ 16 B431-1X/L <sup>39</sup> <sup>45</sup> M00		230 x 91 x 120 18.2 kg	R900769806  RE 18115-08 RE 18115-12 CBG on side F

Order example of complete unit with **one** load lowering valve: HSZ 16 B430-1X/L <sup>39</sup> <sup>45</sup> <sup>2</sup> <sup>3</sup> <sup>K</sup> <sup>4</sup> <sup>M</sup> <sup>00</sup>

Sandwich plate Sandwich plate fitted with: SENKBREMSVENTIL CBG <sup>44</sup> -L <sup>39</sup> N	HSZ 16 B426-1X/AL <sup>39</sup> <sup>45</sup> -BL <sup>39</sup> <sup>45</sup> M00		230 x 91 x 120 18.2 kg	R900769816  RE 18115-08 RE 18115-12 CBG on sides E and F
---	--	--	---------------------------	--

Order example of complete unit with **two** load lowering valves: HSZ 16 B426-1X/AL <sup>39</sup> <sup>45</sup> <sup>39</sup> <sup>45</sup> <sup>2</sup> <sup>3</sup> <sup>J</sup> <sup>10</sup> -BL <sup>J</sup> <sup>10</sup> <sup>M</sup> <sup>00</sup>

Protected channel

Preloading of check valve = 2 bar.

Not suitable for use of a proportional directional valve and for regenerative circuits (please consult us!)

For further technical information, see RE 18115-01.

Supplement type designation according to page 17.

**Throttle valves** (1) = component side, (2) = plate side)

Component designation	Type designation Material no.	Symbol	Plate L x W x H Weight Size of ports	Dimensional sheet Further information
Sandwich plate	Z2FS 16-3X/S SO71 R900560759		173 x 91 x 51 4.7 kg	EV 5829-00-3
Sandwich plate	Z2FS 16-3X/S SO72 R900560760		173 x 91 x 51 4.7 kg	EV 5829-00-3
Sandwich plate	Z2FS 16-3X/S SO73 R900560761		173 x 91 x 51 4.8 kg	EV 5829-00-3
Sandwich plate	HSZ 16 B167-3X/ DVEM00 R900921382		150 x 91 x 100 10.5 kg	R900266211
Sandwich plate fitted with: Throttle valve	FL-DVE-16-01.X/0			
Sandwich plate	HSZ 16 B085-3X/A 53 M00		140 x 91 x 20 1.8 kg	R900774325
Sandwich plate fitted with:	DUESE 53 R3/8-DIN906 Material no., see page 25			RN 115.06
Sandwich plate	HSZ 16 B085-3X/B 53 M00		140 x 91 x 20 1.8 kg	R900774325
Sandwich plate fitted with:	DUESE 53 R3/8-DIN906 Material no., see page 25			RN 115.06
Sandwich plate	HSZ 16 B085-3X/P 53 M00		140 x 91 x 20 1.8 kg	R900774325
Sandwich plate fitted with:	DUESE 53 R3/8-DIN906 Material no., see page 25			RN 115.06
Sandwich plate	HSZ 16 B085-3X/T 53 M00		140 x 91 x 20 1.8 kg	R900774325
Sandwich plate fitted with:	DUESE 53 R3/8-DIN906 Material no., see page 25			RN 115.06

Order example of complete unit with 2.5 mm orifice in channel A: HSZ 16 B085-3X/A <sup>53</sup>25 <sup>2</sup>M <sup>3</sup>00

**Flow control valves, meter-in and meter-out control** (1 = component side, 2 = plate side)

Component designation	Type designation Material no.	Symbol	Plate L x W x H Weight Size of ports	Dimensional sheet Further information
Sandwich plate  Sandwich plate fitted with:  STROMREGELVENTIL FDEA-LAN	HSZ 16 B459-3X/ LAM00 R900774457		220 x 91 x 100 14.5 kg	R900774477  FDEA on side E RE 18118-36
Sandwich plate  Sandwich plate fitted with:  STROMREGELVENTIL FDEA-LAN	HSZ 16 B460-3X/ LAM00 R900774459		220 x 91 x 100 14.5 kg	R900774478  FDEA on side F RE 18118-36
Sandwich plate  Sandwich plate fitted with:  STROMREGELVENTIL FDEA-LAN	HSZ 16 B454-3X/ALA- BLAM00 R900774454		220 x 91 x 100 14.5 kg	R900774476  FDEA on sides E and F RE 18118-36
Sandwich plate  Sandwich plate fitted with:  STROMREGELVENTIL FDEA-LAN	HSZ 16 B455-3X/ LAM00 R900774465		220 x 91 x 100 14.5 kg	R900774479  FDEA on side F RE 18118-36
Sandwich plate  Sandwich plate fitted with:  STROMREGELVENTIL FDEA-LAN	HSZ 16 B456-3X/ LAM00 R900774438		220 x 91 x 100 14.5 kg	R900774474  FDEA on side E RE 18118-36
Sandwich plate  Sandwich plate fitted with:  STROMREGELVENTIL FDEA-LAN	HSZ 16 B457-3X/ LAM00 R900774447		220 x 91 x 100 14.5 kg	R900774475  FDEA on side F RE 18118-36
Sandwich plate  Sandwich plate fitted with:  STROMREGELVENTIL FDEA-LAN	HSZ 16 B453-3X/ALA- BLAM00 R900774430		220 x 91 x 100 14.5 kg	R900774473  FDEA on sides E and F RE 18118-36

Order example of complete unit with two flow control valves: HSZ 16 B454-3X/ALA-BLA <sup>2</sup>M <sup>3</sup>00

Protected channel

Order example of complete unit with one flow control valve: HSZ 16 B456-3X/LA <sup>2</sup>M <sup>3</sup>00

**Flow control valve, meter-in and meter-out control** (1 = component side, 2 = plate side)

Component designation	Type designation Material no.	Symbol	Plate L x W x H Weight Size of ports	Dimensional sheet Further information
Sandwich plate  Sandwich plate fitted with:  STROMREGELVENTIL FDEA-LAN	HSZ 16 B458-3X/ LAM00 R900774451		220 x 91 x 100 14.5 kg	R900774480  FDEA on side E RE 18118-36

- Leakage 1 -> 2 while orifice is closed ≤ 0.8 l/min at 350 bar
- Pre-loading of by-pass check valve = 0.7 bar
- Flow range of flow control valve: 0.8 to 95 l/min

For further technical information, see RE 18115-01.

**Shuttle valve** (1 = component side, 2 = plate side)

Component designation	Type designation Material no.	Symbol	Plate L x W x H Weight Size of ports	Dimensional sheet Further information
Sandwich plate  Sandwich plate fitted with:  Shuttle valve	HSZ 16 B232-3X/WVEM01 R900943807  FL-WVE-R1/4-01X/VITON		140 x 91 x 60 5.6 kg Side F X G1/4	R900266206

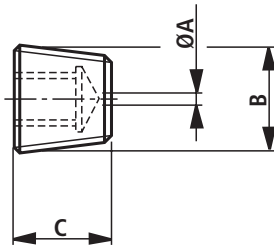
**Logic functions** (1) = component side, (2) = plate side

Component designation	Type designation Material no.	Symbol	Plate L x W x H Weight Size of ports	Dimensional sheet Further information
<p><b>Sandwich plate</b></p> <p><b>HSZ 16-26673-AB/ G24N9K4M00 R900968903</b></p> <p>Sandwich plate fitted with:                      LC 16 A40D7X/-004                      LFA 16 D19-7X/                      LFA 16 GWA-7X/A07P07T07                      M-3SED 6 UK1X/350CG24N9K4</p> <p>(A different component placement requires another type designation and material no.)</p>			<p>200 x 91 x 120 21 kg</p>	<p>R900279458</p> <p>RE 21010 RE 21010 RE 21010 RE 22049</p> <p>Logics on sides E and F Pilot oil from P-channel Drain oil in Y-channel</p>
<p><b>Sandwich plate</b></p> <p><b>HSZ 16-26673-AC/ G24N9K4M00 R900727217</b></p> <p>Sandwich plate fitted with:                      LC 16 A40D7X/-004                      LFA 16 D19-7X/                      LFA 16 GWA-7X/A07P07T07                      M-3SED 6 UK1X/350CG24N9K4</p> <p>(A different component placement requires another type designation and material no.)</p>			<p>200 x 91 x 120 21 kg</p>	<p>R900727216</p> <p>RE 21010 RE 21010 RE 21010 RE 22049</p> <p>Logics on sides E and F Pilot oil from X-channel Drain oil in Y-channel</p>
<p><b>Sandwich plate</b></p> <p><b>HSZ 16-26859-AA/ G24N9K4M00 R900756270</b></p> <p>Sandwich plate fitted with:                      LFA 16 EWA-7X/CA10DQMG24                      A08P08T08                      4WE 6 D6X/EG24N9K4</p> <p>(A different component placement requires another type designation and material no.)</p>			<p>180 x 91 x 110 18 kg</p>	<p>R900757442</p> <p>RE 21010 RE 23178</p> <p>Logic on side E</p>



## Orifices, seals

RNI 115.06 , Form 7  
(Plug screw DIN 906)



Note: Code ( ) for complete type!

50



51



52



53



B	M6	M8 x 1	R1/8	R 3/8
C	6	8	8	10
ØA	Material no.			
<b>0.6 (06)</b>	R900157934	R900149430	R900159145	–
<b>0.7 (07)</b>	R900157931	R900143957	–	–
<b>0.8 (08)</b>	R900152276	R900136843	R900144212	R900159043
<b>0.9 (09)</b>	R900695625	R900643104	–	–
<b>1.0 (10)</b>	R900149335	R900136842	R900135607	R900159033
<b>1.1 (11)</b>	R900645667	R900144763	–	–
<b>1.2 (12)</b>	R900152286	R900139101	R900146270	R900159032
<b>1.3 (13)</b>	R900152291	R900144762	R900891295	R900163839
<b>1.4 (14)</b>	R900171199	R900158791	R900135606	–
<b>1.5 (15)</b>	R900148823	R900133712	R900144910	R900159031
<b>1.8 (18)</b>	R900157932	R900150953	R900142840	R900159030
<b>2.0 (20)</b>	R900156650	R900137299	R900155897	R900159029
<b>2.5 (25)</b>	R900157929	R900137445	R900148351	R900146259
<b>3.0 (30)</b>	R900181894	R900144761	R900111282	R900149044
<b>3.5 (35)</b>	–	–	–	R900146258
<b>4.0 (40)</b>	–	–	–	R900149052
<b>5.0 (50)</b>	–	–	–	R900152287
<b>6.0 (60)</b>	–	–	–	R900135774
<b>7.0 (70)</b>	–	–	–	R900152289
<b>7.5 (75)</b>	–	–	–	R900137643
<b>8.0 (80)</b>	–	–	–	R900626397

## Seal kit – plate:

Seal material	Material no.
NBR	R900853074
FKM	R900841029

## Note

---

Bosch Rexroth AG  
Hydraulics  
Zum Eisengießer 1  
97816 Lohr am Main, Germany  
Phone +49 (0) 93 52 / 18-0  
Fax +49 (0) 93 52 / 18-23 58  
documentation@boschrexroth.de  
www.boschrexroth.de

© This document, as well as the data, specifications and other information set forth in it, are the exclusive property of Bosch Rexroth AG. It may not be reproduced or given to third parties without its consent.

The data specified above only serve to describe the product. No statements concerning a certain condition or suitability for a certain application can be derived from our information. The information given does not release the user from the obligation of own judgment and verification. It must be remembered that our products are subject to a natural process of wear and aging.

## Note

---

Bosch Rexroth AG  
Hydraulics  
Zum Eisengießer 1  
97816 Lohr am Main, Germany  
Phone +49 (0) 93 52 / 18-0  
Fax +49 (0) 93 52 / 18-23 58  
documentation@boschrexroth.de  
www.boschrexroth.de

© This document, as well as the data, specifications and other information set forth in it, are the exclusive property of Bosch Rexroth AG. It may not be reproduced or given to third parties without its consent.

The data specified above only serve to describe the product. No statements concerning a certain condition or suitability for a certain application can be derived from our information. The information given does not release the user from the obligation of own judgment and verification. It must be remembered that our products are subject to a natural process of wear and aging.

## Note

---

Bosch Rexroth AG  
Hydraulics  
Zum Eisengießer 1  
97816 Lohr am Main, Germany  
Phone +49 (0) 93 52 / 18-0  
Fax +49 (0) 93 52 / 18-23 58  
documentation@boschrexroth.de  
www.boschrexroth.de

© This document, as well as the data, specifications and other information set forth in it, are the exclusive property of Bosch Rexroth AG. It may not be reproduced or given to third parties without its consent.

The data specified above only serve to describe the product. No statements concerning a certain condition or suitability for a certain application can be derived from our information. The information given does not release the user from the obligation of own judgment and verification. It must be remembered that our products are subject to a natural process of wear and aging.