

# XOU Series Air Source Treatment Unit



The XOU consisted of XOFR and XOL,each unit can be ordered separately  
 The XOF with water separator cleans the compressed air of fluid oil,condensation and dirt Particles. For special application,the standart 40um filter element may easily be replaced by a5um filter element .  
 The XOR maintain impuoting constant operating pressure despite fluctuation in line pressure and the amount of air consumed The proportional lubricator adds a regulated quantity of oil to the filtered air. The oil-mist content proportional to the flow and oil can be added during operation  
 The oil drip rate is controlled by the adjustable bolt. Normally 1to 12 drops /1000 of the air is Sufficient

## Ordering Code

<b>XO</b>	<b>U</b>	<b>1/4</b>			<b>MINI</b>
Series XO Series	Function code FR.LCCombination	Port Size G1/8" G1/2" G1/4" G3/4" G3/8" G1"	Grade of filtration Blank:40um 5m:5um	Manometer Blank:12bar 7:7bar	Size MINI MIDI MAXI

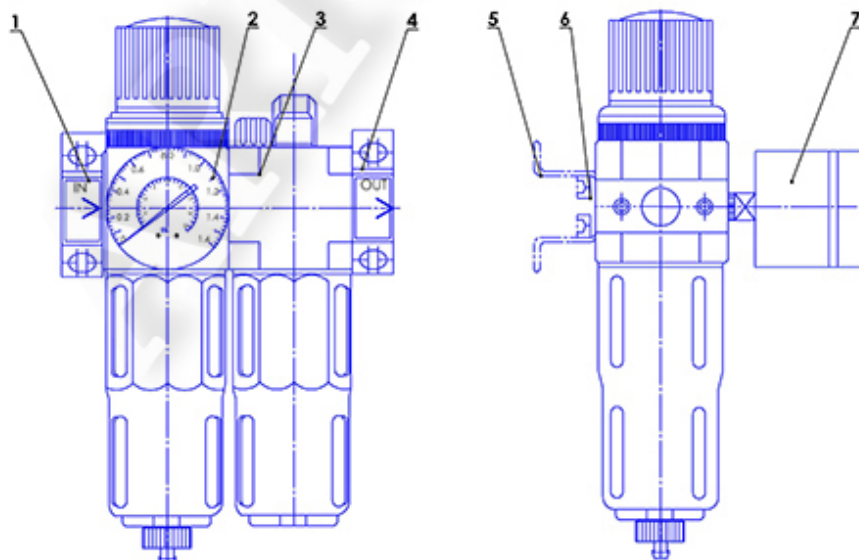
## Specification

Service units		MINI			MIDI			MAXI	
Manual Drain	Working pressure:12bar,40um	XOU-1/8-MINI	XOU-1/4-MINI	XOU-3/8-MINI	XOU-3/8-MIDI	XOU-1/2-MIDI	XOU-3/4-MIDI	XOU-3/4-MAXI	XOU-1-MAXI
	Working pressure:7bar,40um	XOU-1/8-7-MINI	XOU-1/4-D-7-MINI	XOU-3/8-7-MINI	XOU-3/8-7-MIDI	XOU-1/2-7-MIDI	XOU-3/4-7-MIDI	XOU-3/4-7-MAXI	XOU-1-7-MAXI
	Working pressure:12bar,5um	XOU-1/8-5M-MINI	XOU-1/4-5M-MINI	XOU-3/8-5M-MINI	XOU-3/8-5M-MIDI	XOU-1/2-5M-MIDI	XOU-3/4-5M-MIDI	XOU-3/4-5M-MAXI	XOU-1-5M-MAXI
Manometer	0~12bar	OMA-40-16-1/8					OMA-50-16-1/4		
	0~7bar	OMA-40-16-1/8					OMA-50-10-1/4		
Medium		Compressed air							
Features of structure		Sinteret filter with water sparator;MINI/MIDI:MAXI:Piston regular;Diaphragm type regulator;Direct constant-density lubricator							
Mounting type		Pipe mounting or foot mounting							
Assembly position		Vertical±5°							
Connection		G1/8"	G1/4"	G3/8"	G3/8"	G1/2"	G3/4"	G3/4"	G1"
Standart nominal flow rate	XOU-...(-A)	700	1000	1200	2000	2600	2600	7000	8000
	XOU-...-7(-A)	800	1300	1500	2500	2800	2800	8500	8700
	XOU-...-5M(-A)	600	850	1050	1700	1800	2100	6500	7200
Primary pressure	Manual condensate drain	1~16bar							
	Automatic condensate drain	1.5~12bar							
Working pressure		0.512bar/0.5~7bar							
Min.Standart nominal flow rate		3 L/min			6 L/min			10 L/min	
Grade of filtration		40um/5um							
Capacity of condensate fluid		22ml							
Temperature range		0~60℃							

Materials information

Housing:Zinc die-casting ;Filter bowl and oil bowl: PC; Meta bowl guard: Aluminium alloy; NBR; Adjusting knob:POM

## Internal structure



NO	ITEM	MATERIAL
1	Flange-IN	Zinc alloy
2	Filter+Regulator	
3	Lubricator	
4	Flange-OUT	Zinc alloy
5	Bracket	SPCC
6	Allen screw	S35C
7	Pressure guage	